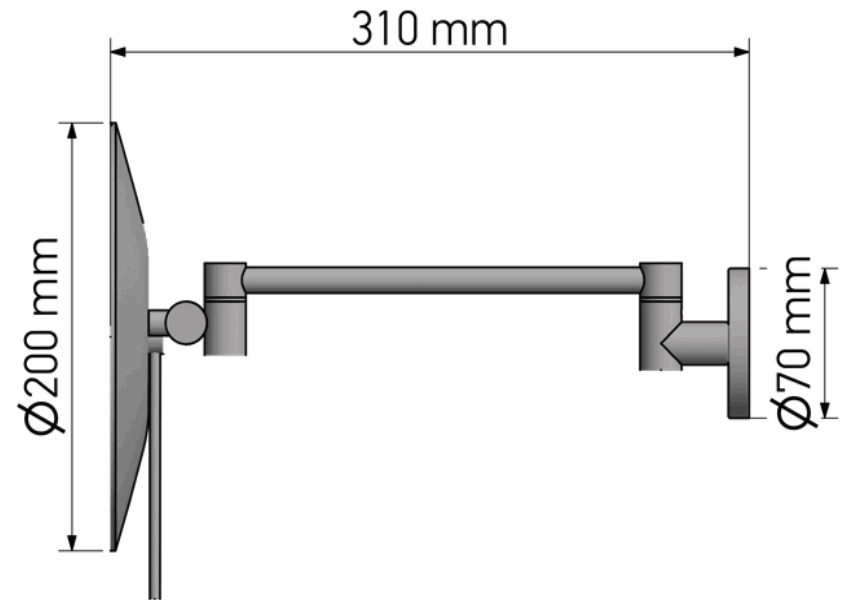


Product Description

Line : Extra
 Type : Wall mounted cosmetic mirror x3
 Code : MR-705

Technical Sheet

Finishing : Chrome
 Metal : Brass



Casella Postale N. 42 - 24028 PONTE NOSSA (BG) -ITALIA
 www.hospistyle.it - ghiblevo.com
 email: info@hospistyle.it - commerciale@hospistyle.it
 Telefono: +39 338 473 34 86



Quality Management System
EAOT EN ISO 9001:2008
 Cert. No 1008/Δ/2010



Environmental Management System
EAOT EN ISO 14001:2004
 Cert. No 144/Γ/2010

